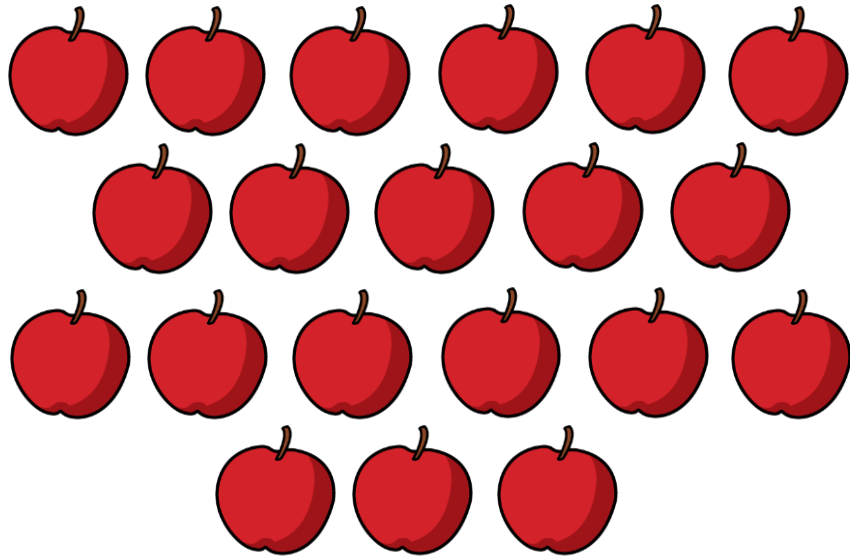


1 Lily has 20 apples.



She packs the apples into bags of 4

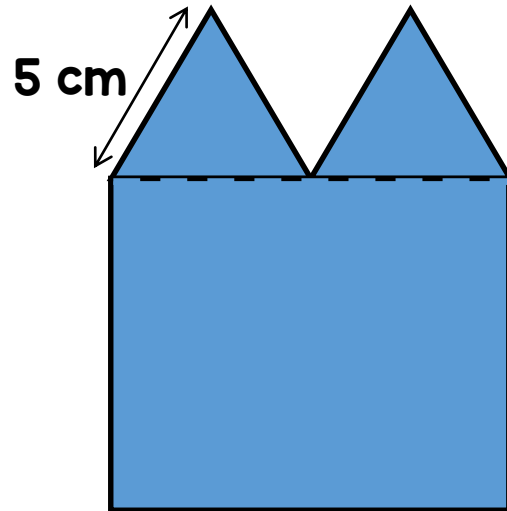
How many bags does she need?

2 Gemma has £20  
She buys 2 of these magazines.



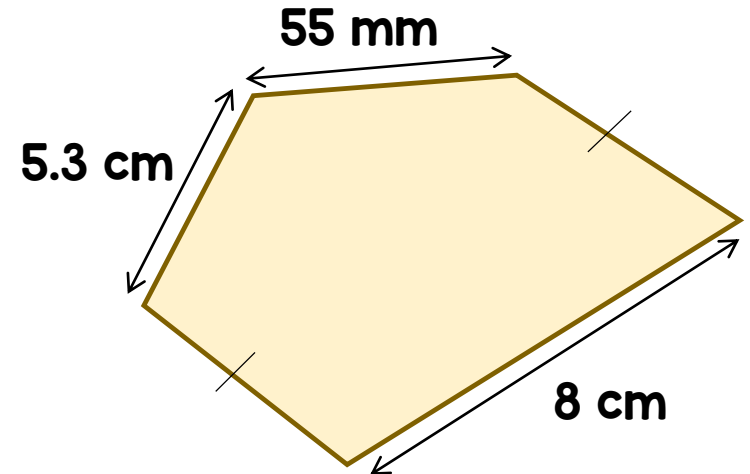
How much money does Gemma have left?

- 1 A shape is made up of two equilateral triangles and a square.



What is the perimeter of the shape?

- 2 The perimeter of the pentagon is 25 cm.



Find the missing lengths.